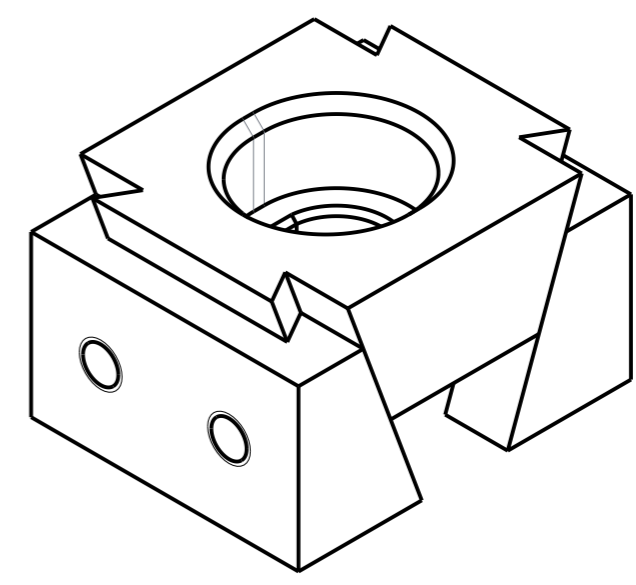
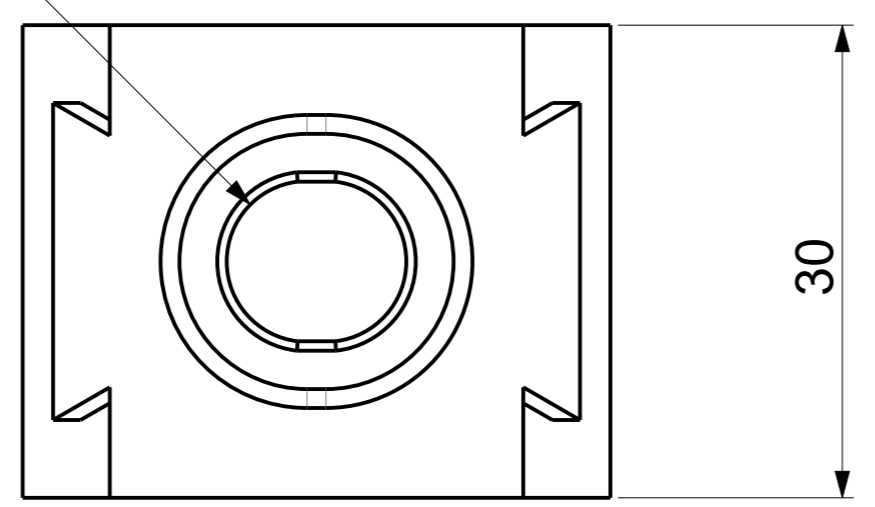


DIN 912 M12



**STAINLESS STEEL
WEDGE CLAMP WITH STANDARD JAW**

Art.No. FG/WH/WEDCL/SSTJ2NP001

Model No. KD-STJ-SS-2

Tightening Torque. 65 Nm

Clamping Force. 30 kN