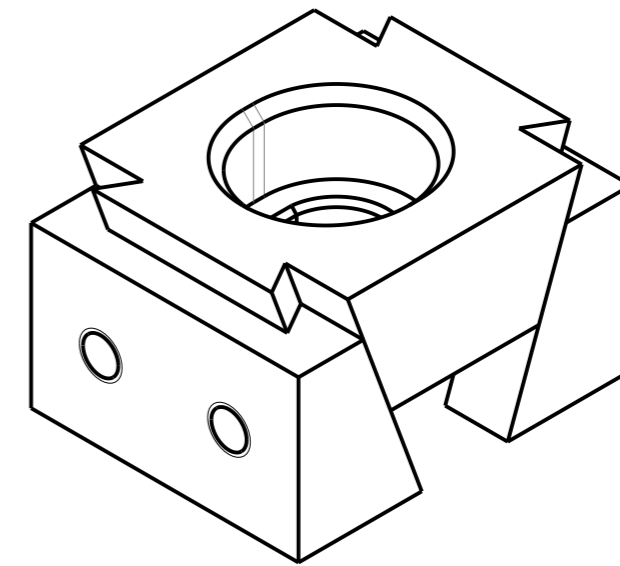
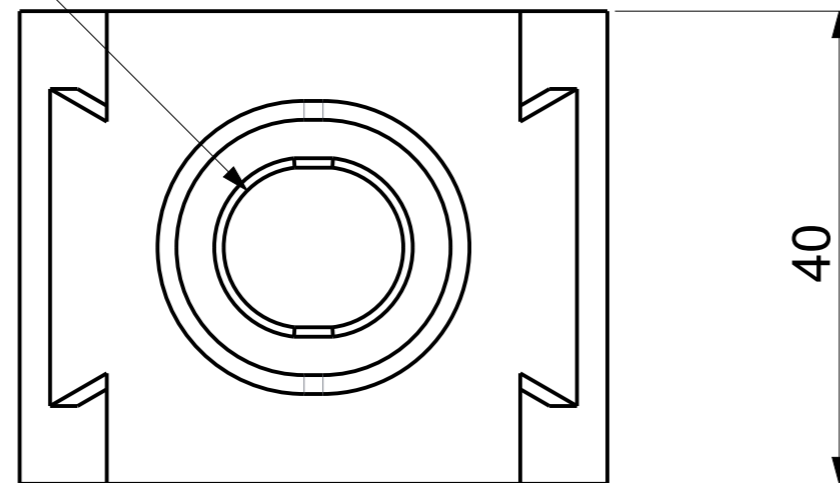


DIN 912 M16



WEDGE CLAMP WITH STANDARD JAW

Art.No. FG/WH/WEDCL/0STJ3NP001

Model No. KD-STJ-3

Tightening Torque. 120 Nm

Clamping Force. 50 kN