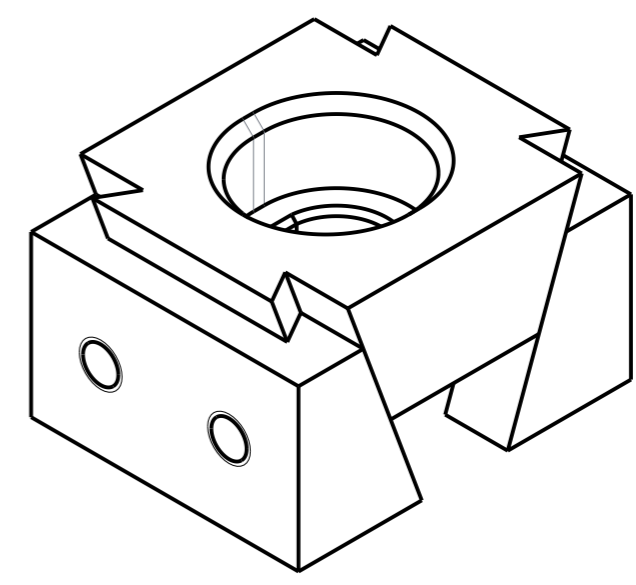
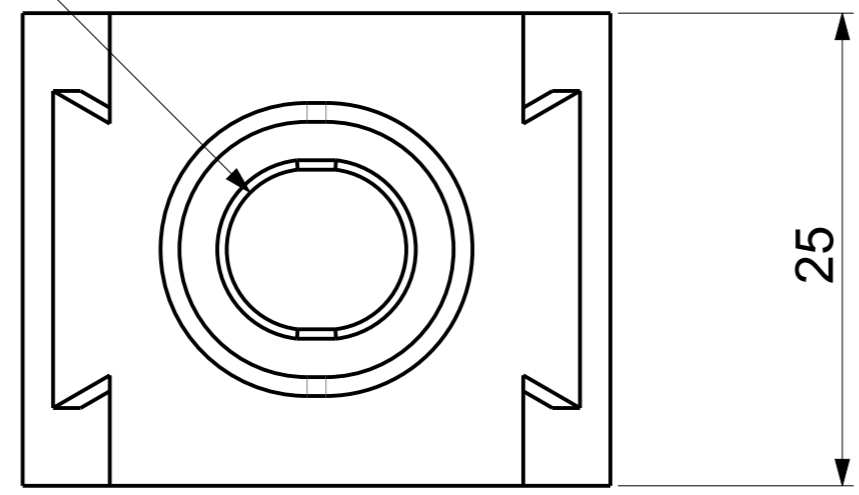


DIN 912 M8



**WEDGE CLAMP WITH STANDARD JAW**

Art.No. FG/WH/WEDCL/0STJ1NP001

Model No. KD-STJ-1

Tightening Torque. 20 Nm

Clamping Force. 15 kN