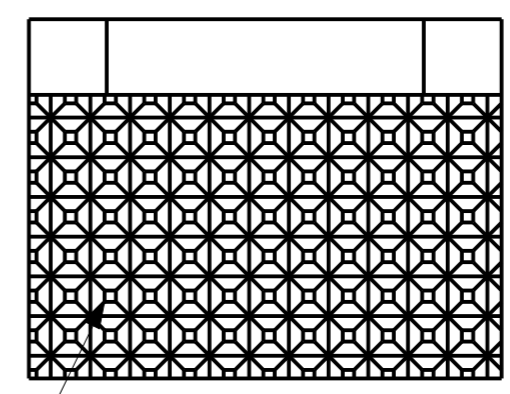
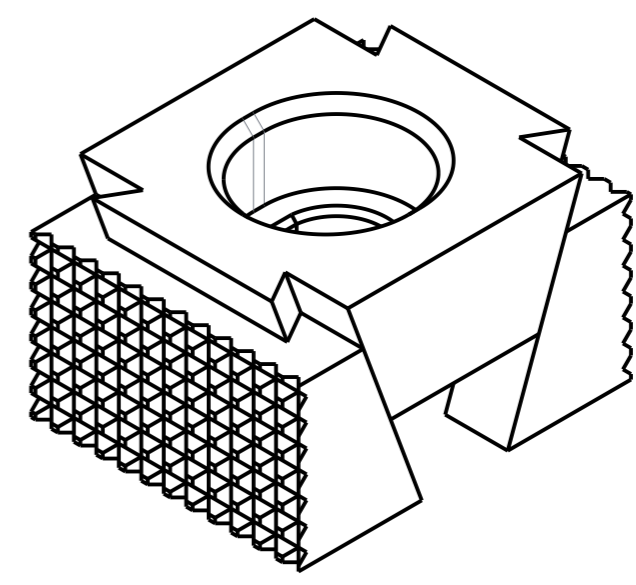
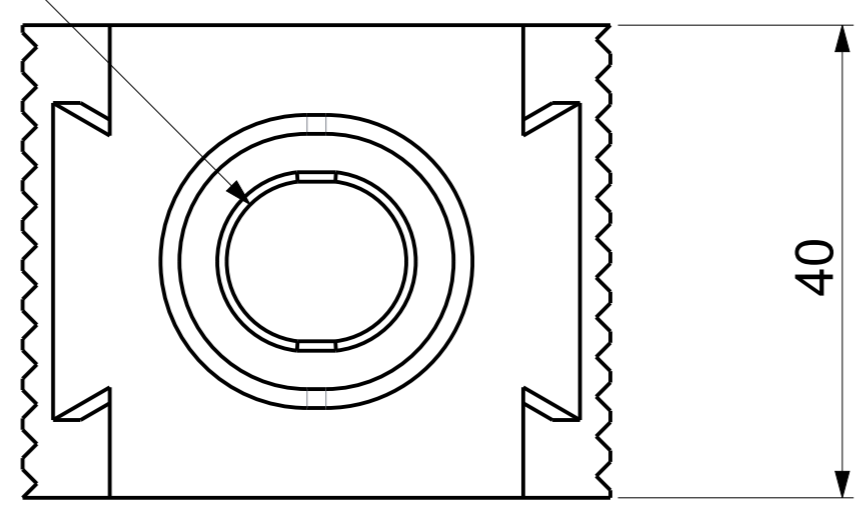


SERRATED JAW



DIN 912 M16



**STAINLESS STEEL
WEDGE CLAMP WITH SERRATED JAW**

Art.No. FG/WH/WEDCL/0SSJ3NP001

Model No. KD-SJ-SS-3

Tightening Torque. 120 Nm

Clamping Force. 50 kN