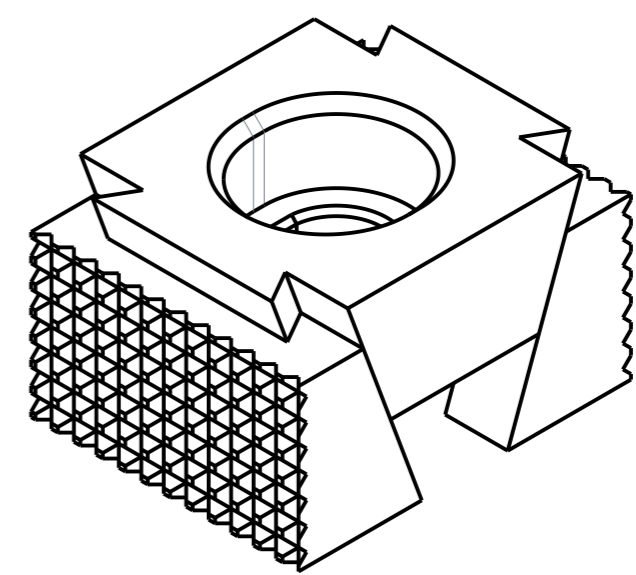
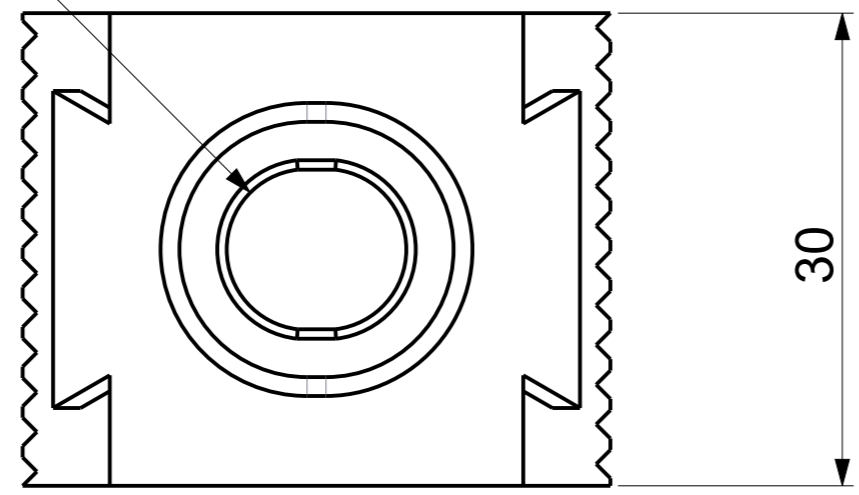


DIN 912 M12



**STAINLESS STEEL
WEDGE CLAMP WITH SERRATED JAW**

Art.No. FG/WH/WEDCL/0SSJ2NP001

Model No. KD-SJ-SS-2

Tightening Torque. 65 Nm

Clamping Force. 30 kN