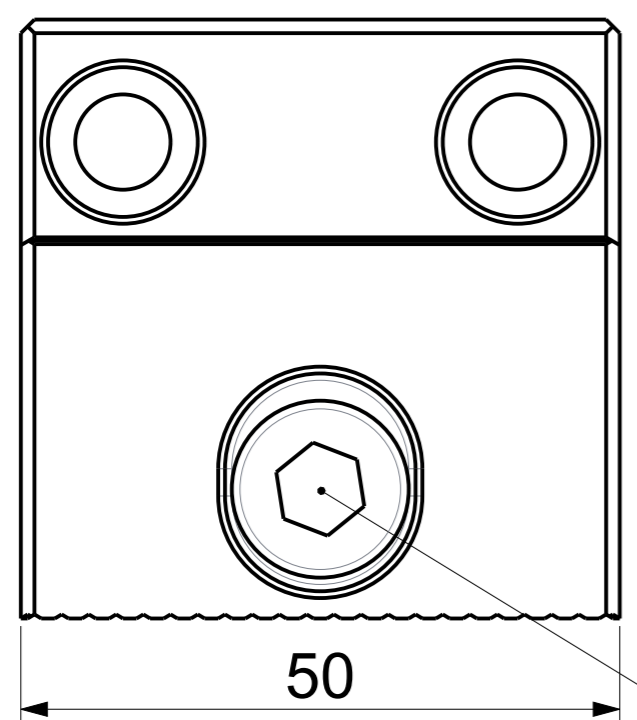
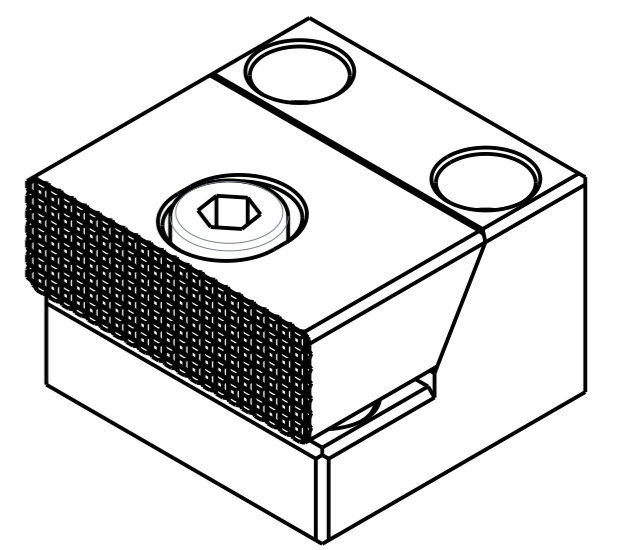
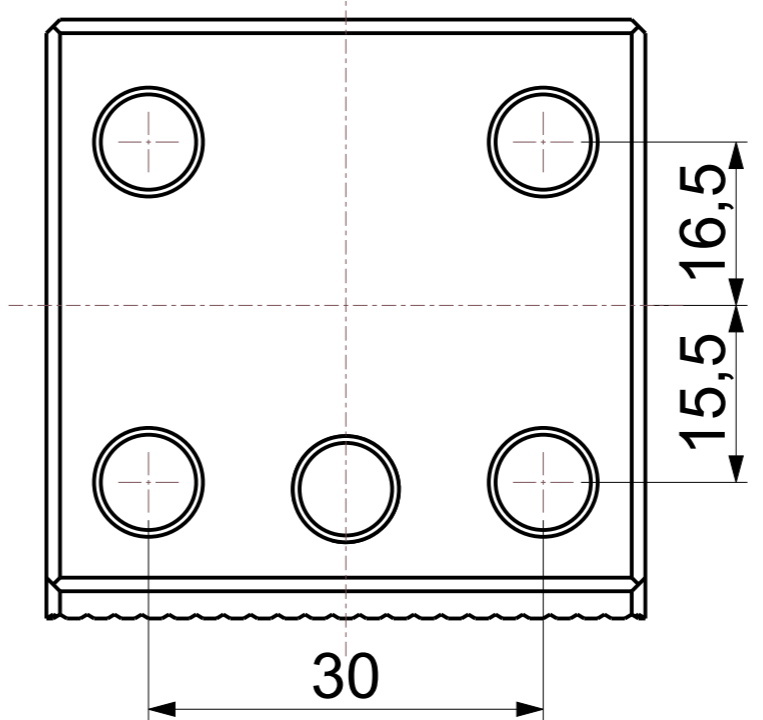


DIN M8X35 -2NOS DIN M8X14 -2NOS



DIN912-M10



**SINGLE SIDE
WEDGE CLAMP WITH SERRATED JAW**

Art.No. FG/WH/WEDCL/0OSJ3NP001
Model No. KD-SJ-OS-3

NOTE:
HARDWARE REQUIREMENTS PER ASSEMBLY:
REFER TO TOP RIGHT CORNER.