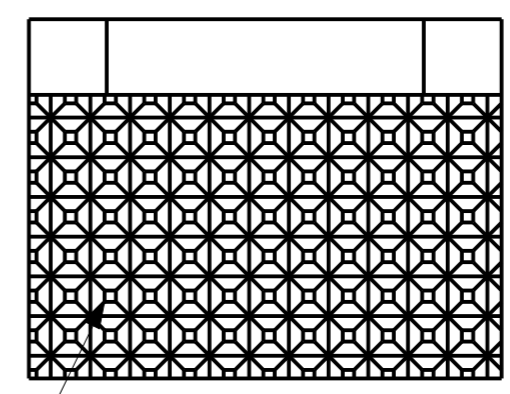
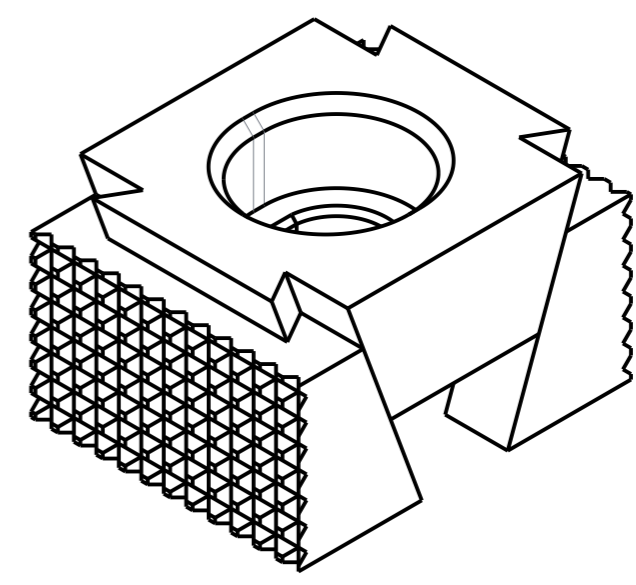
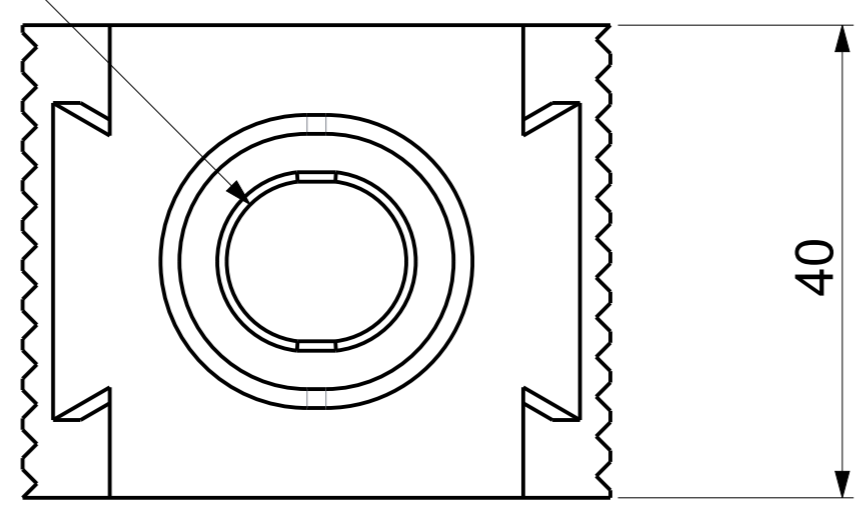


SERRATED JAW



DIN 912 M16



WEDGE CLAMP WITH SERRATED JAW

Art.No. FG/WH/WEDCL/00SJ3NP001

Model No. KD-SJ-3

Tightening Torque. 120 Nm

Clamping Force. 50 kN