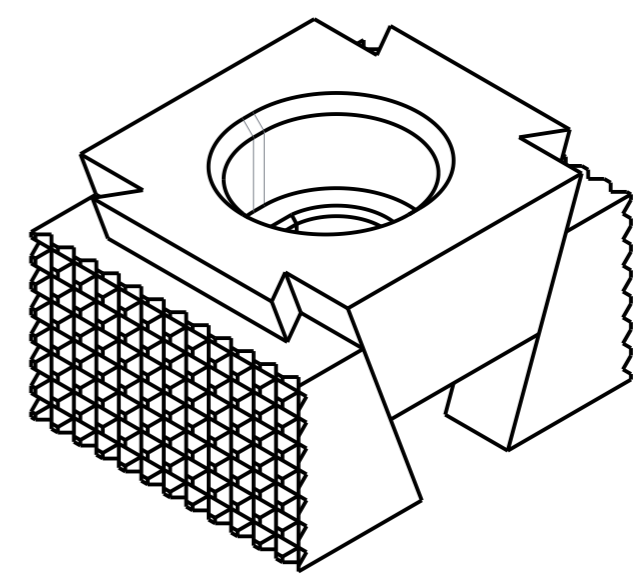
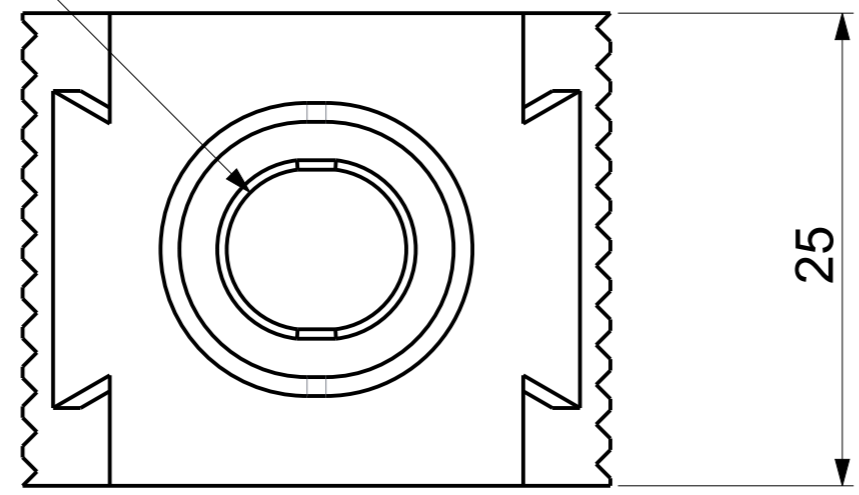


DIN 912 M8



WEDGE CLAMP WITH SERRATED JAW
Art.No. FG/WH/WEDCL/00SJ1NP001
Model No. KD-SJ-1
Tightening Torque. 20 Nm
Clamping Force. 15 kN