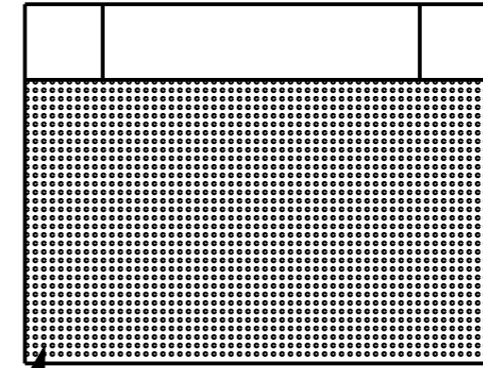
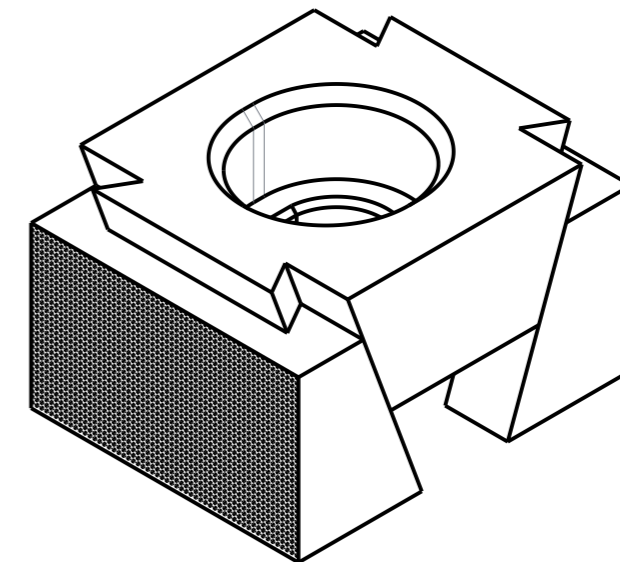
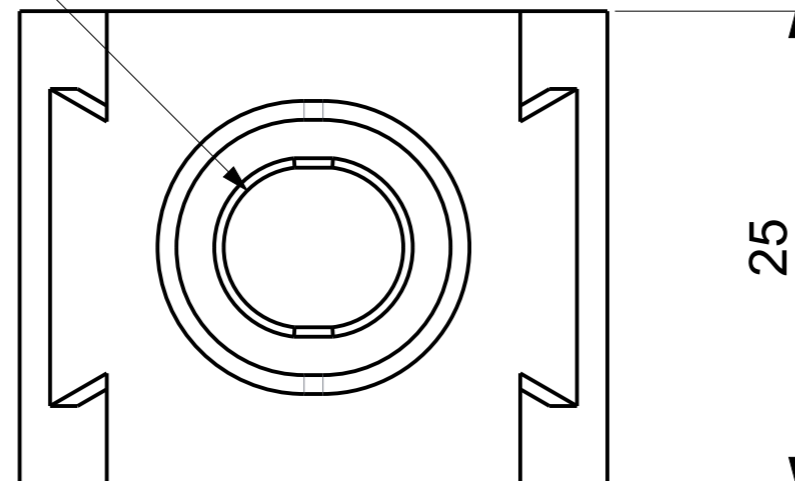


DIAMOND COATED
JAW



DIN 912 M8



**WEDGE CLAMP
WITH DIAMOND COATED JAW**

Art.No. FG/WH/WEDCL/00DC1NP001

Model No. KD-DC-1

Tightening Torque. 20 Nm

Clamping Force. 15 kN