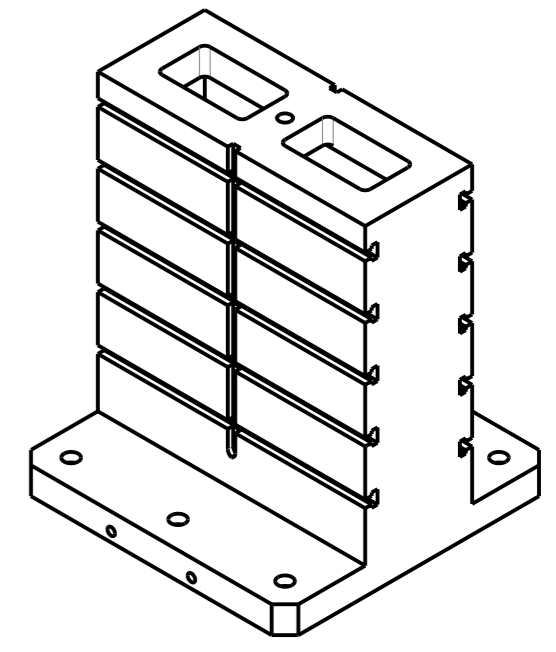
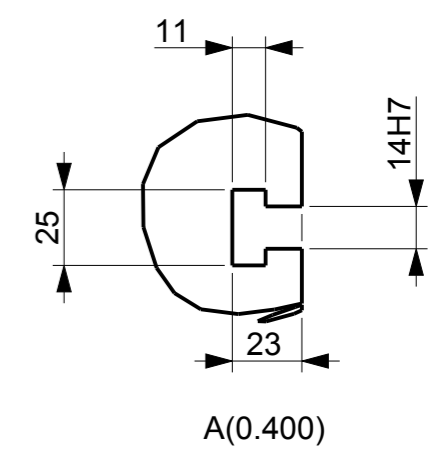
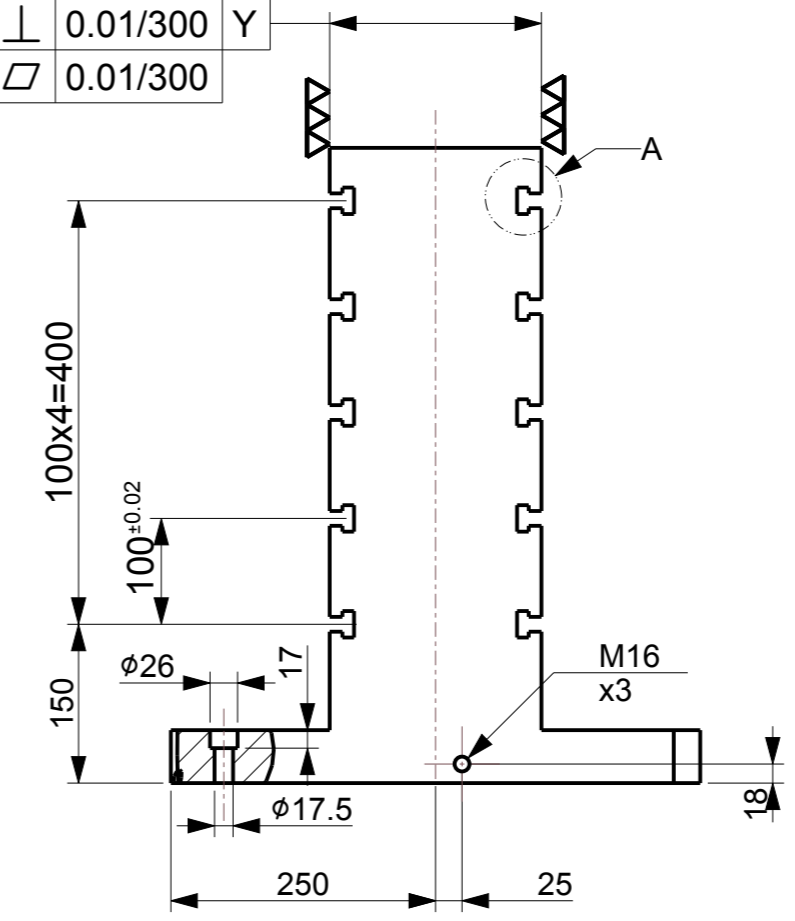


//	0.01/300	Z
⊥	0.01/300	Y
▭	0.01/300	



## DOUBLE SIDED CLAMPING COLUMN -T SLOT

Art.No. FG/WH/TOMB/RCTSLNP003

Model No. TST/RT/200500-14