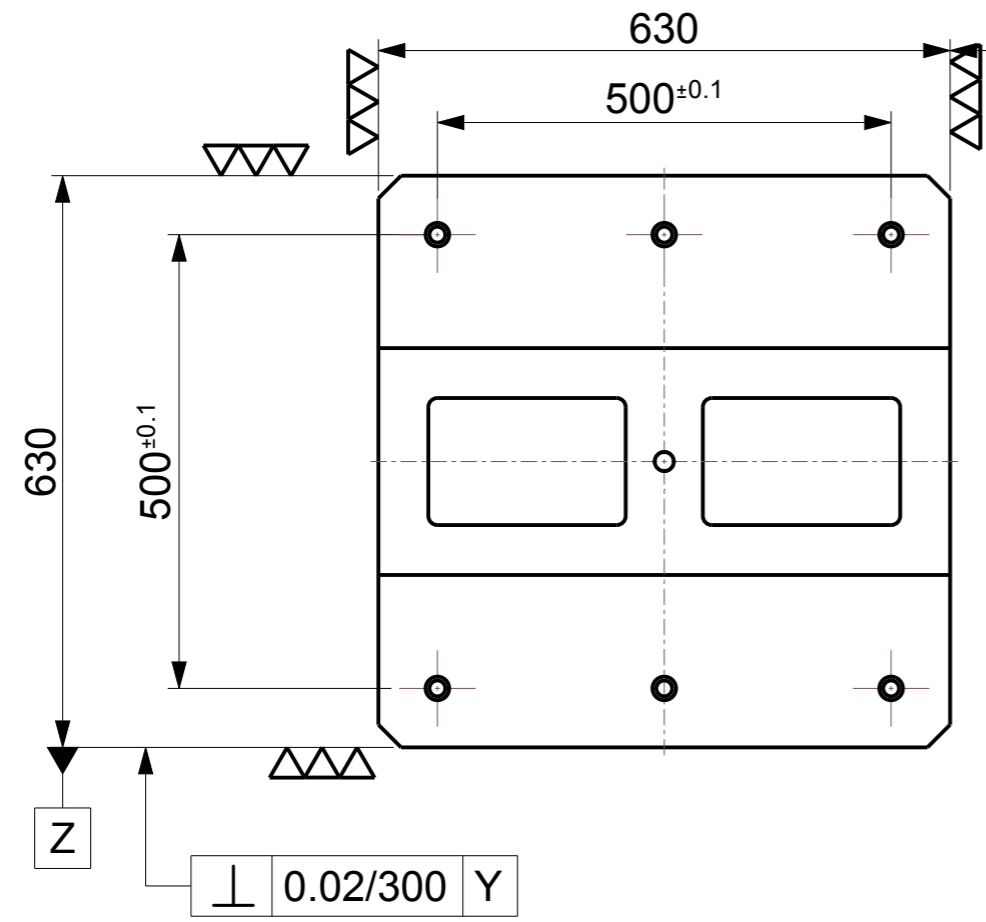
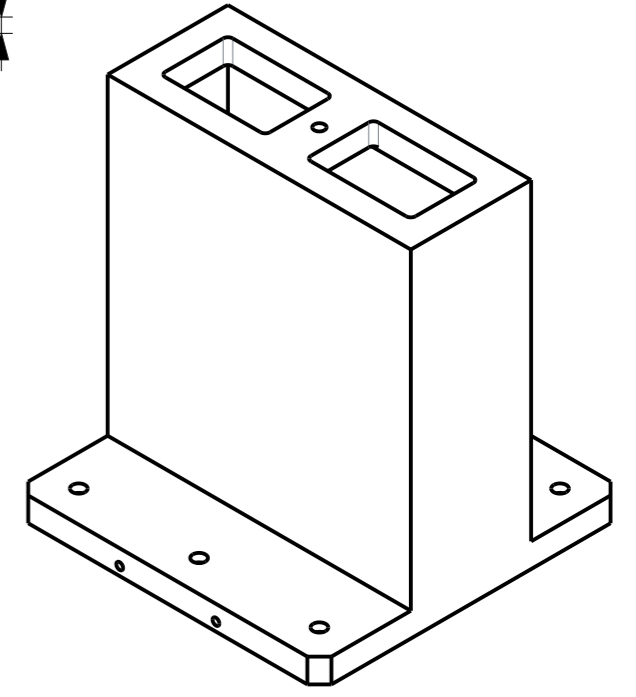
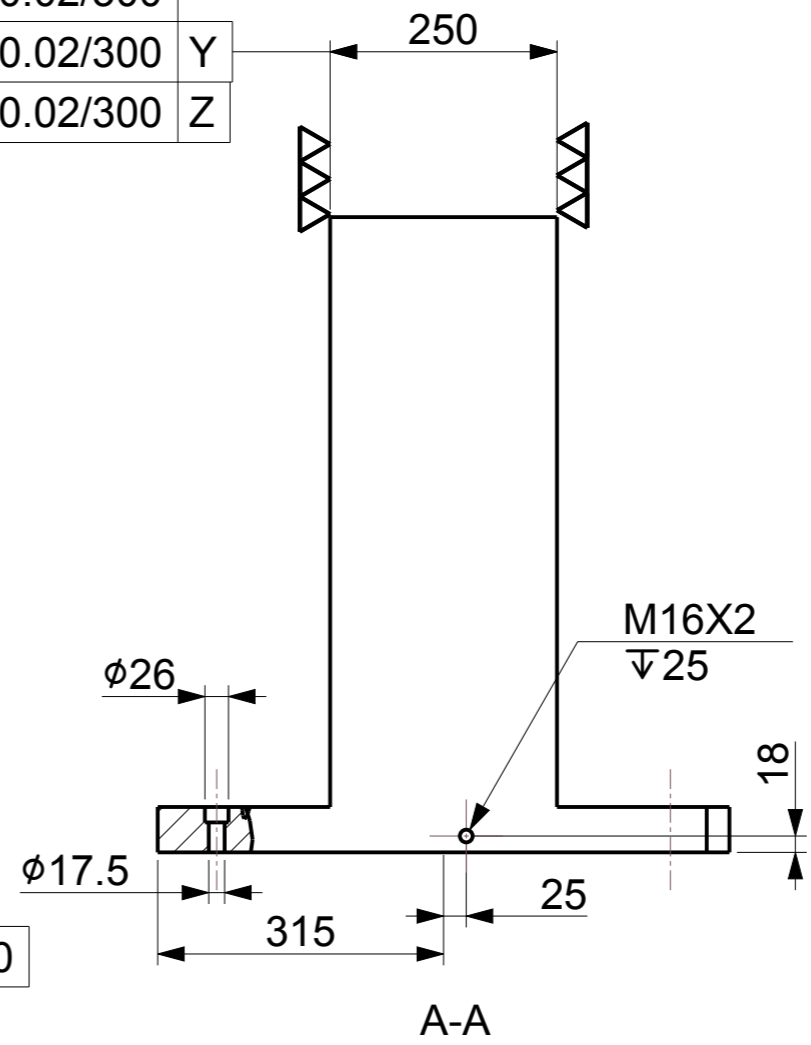
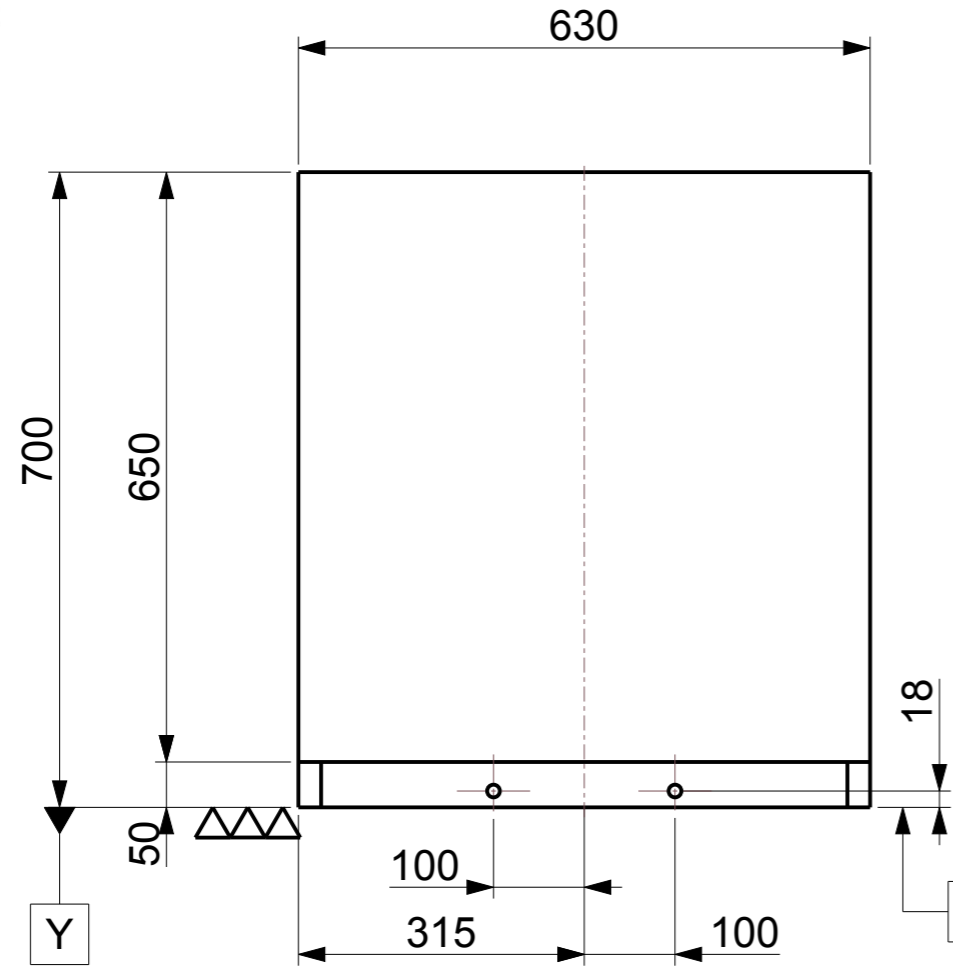


\square	0.02/300	
\perp	0.02/300	Y
//	0.02/300	Z



\perp	0.02/300	Z
---------	----------	---

\perp	0.02/300	Y
---------	----------	---

DOUBLE SIDED CLAMPING COLUMN - PLAIN

Art.No. FG/WH/TOMB/RCPLNNP005

Model No. TSP/RT/250630