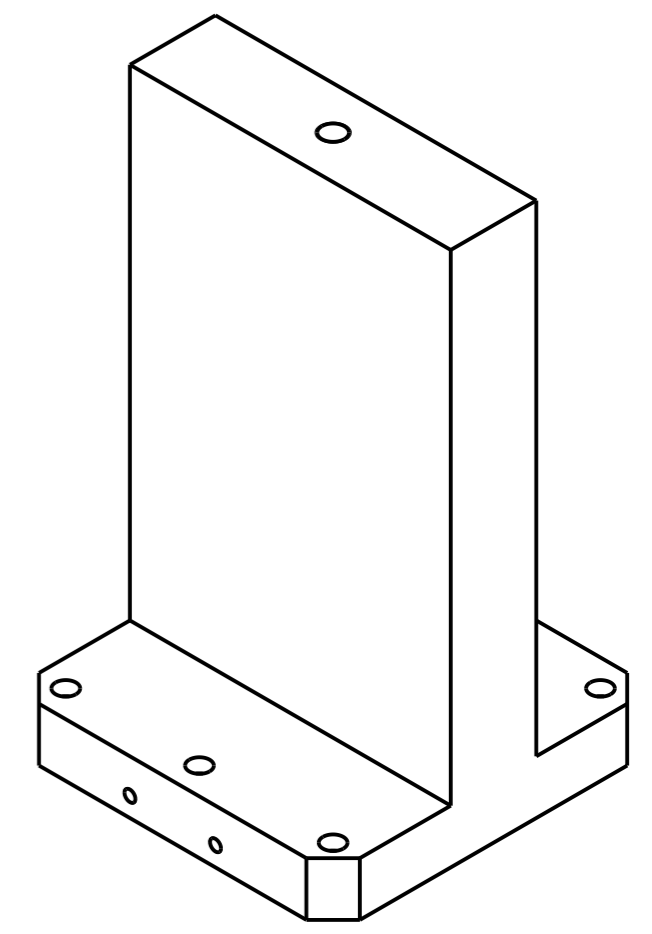
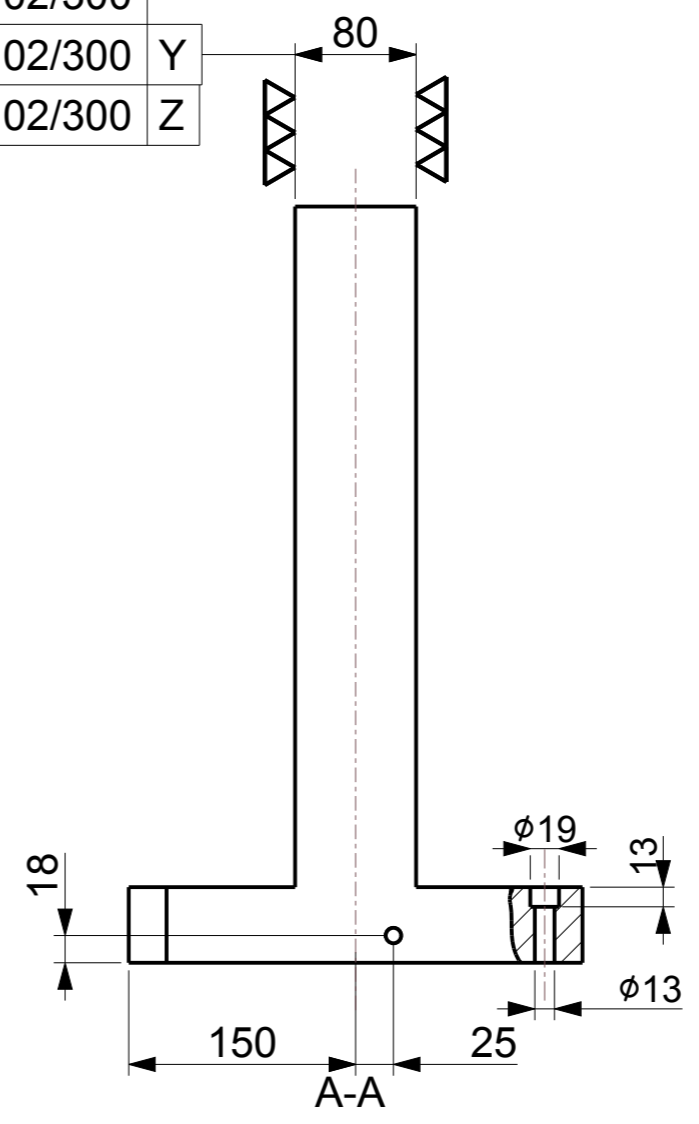


▧	0,02/300	
⊥	0,02/300	Y
//	0,02/300	Z



DOUBLE SIDED CLAMPING COLUMN - PLAIN
 Art.No. FG/WH/TOMB/RCPLNNP001
 Model No. TSP/RT/80300