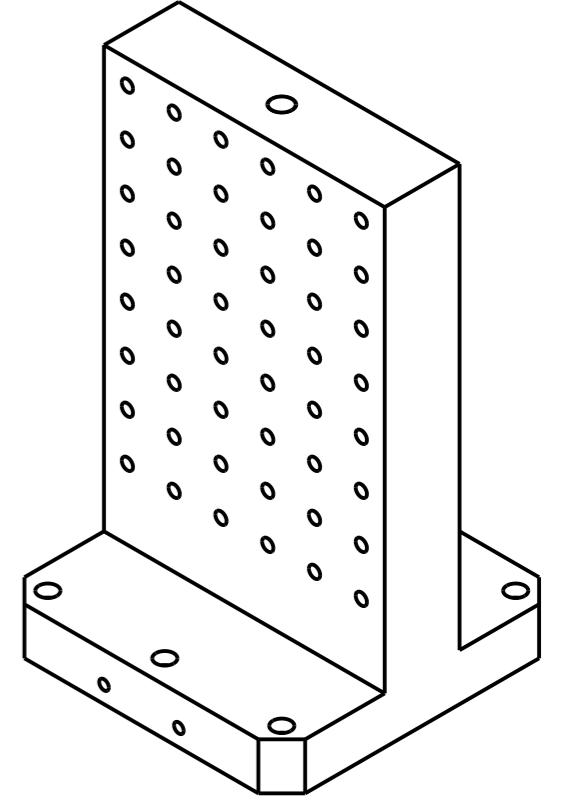
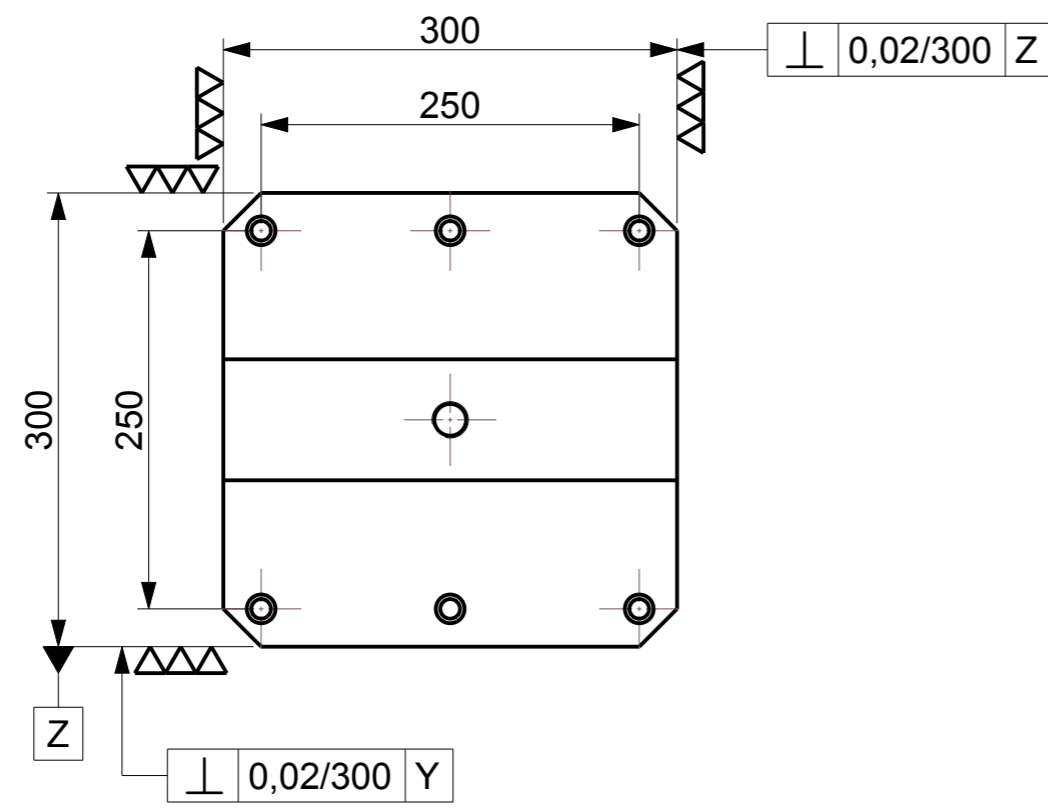
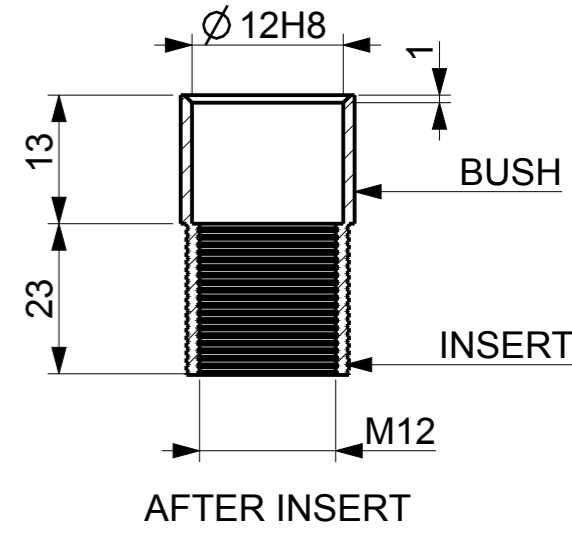
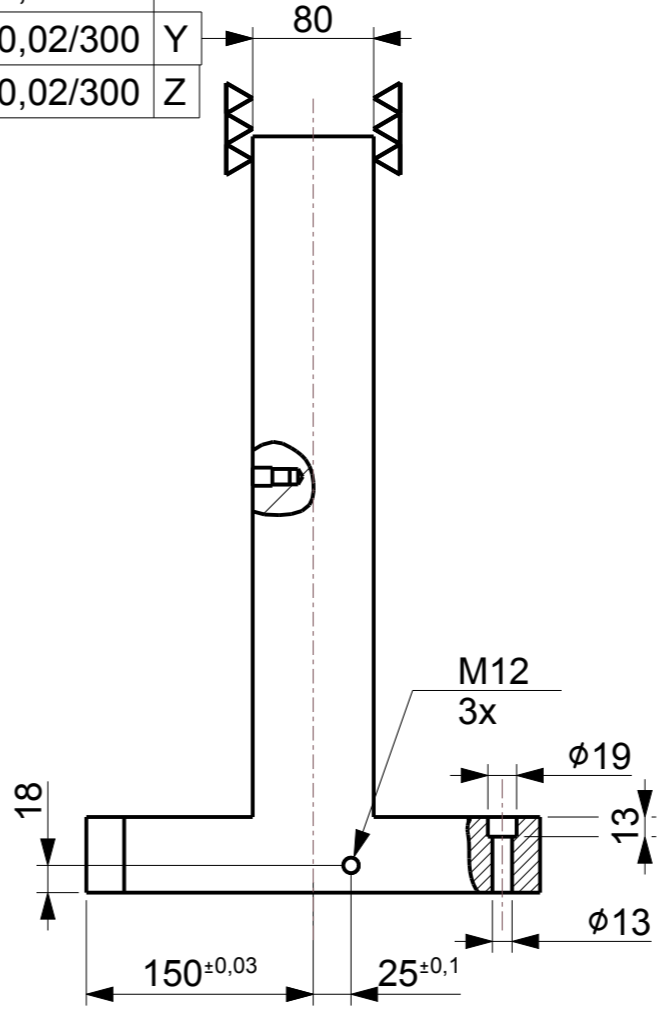


\square	0,02/300	
\perp	0,02/300	Y
//	0,02/300	Z



DOUBLE SIDED CLAMPING COLUMN - GRID HOLE

Art.No. FG/WH/TOMB/RCGRDNP001

Model No. TSG/RT/80300-12