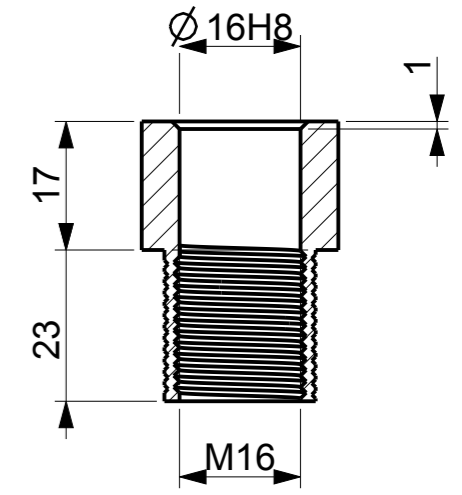
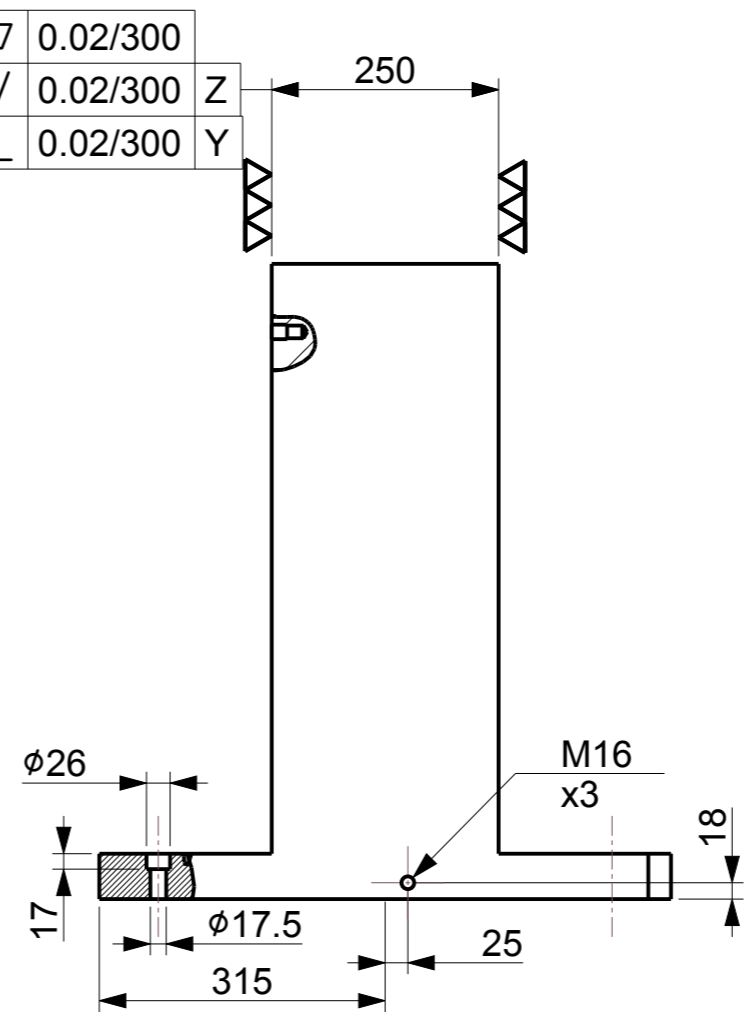
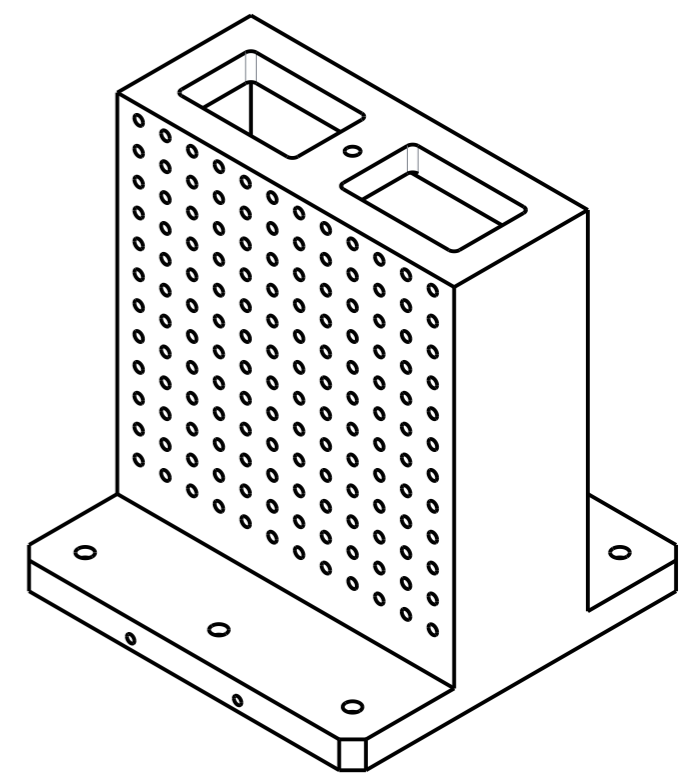
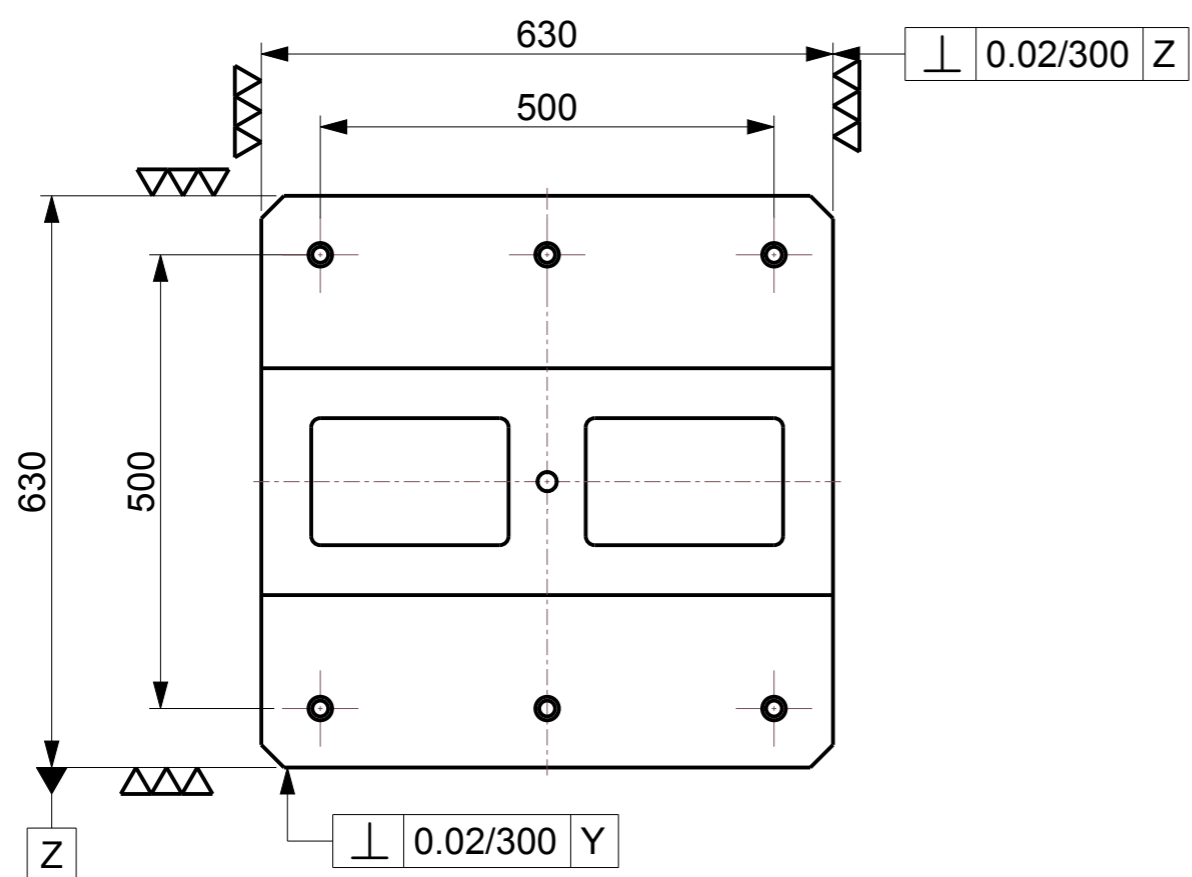


▧	0.02/300	
//	0.02/300	Z
⊥	0.02/300	Y



AFTER INSERT



DOUBLE SIDED CLAMPING COLUMN - GRID HOLE

Art.No. FG/WH/TOMB/RCG16NP005

Model No. TSG/RT/250630-16