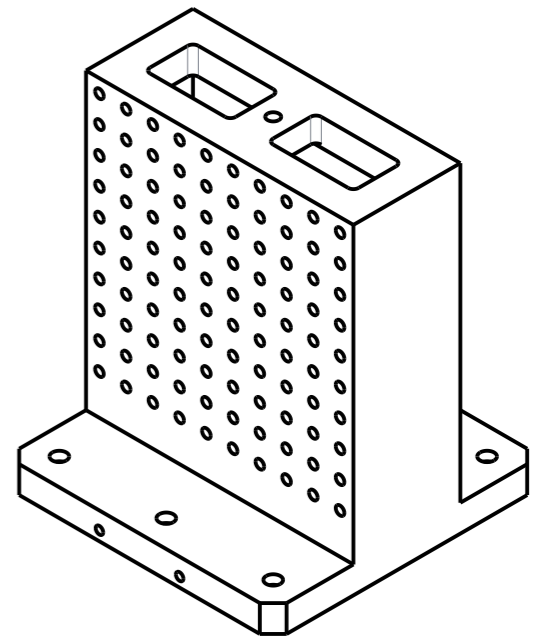
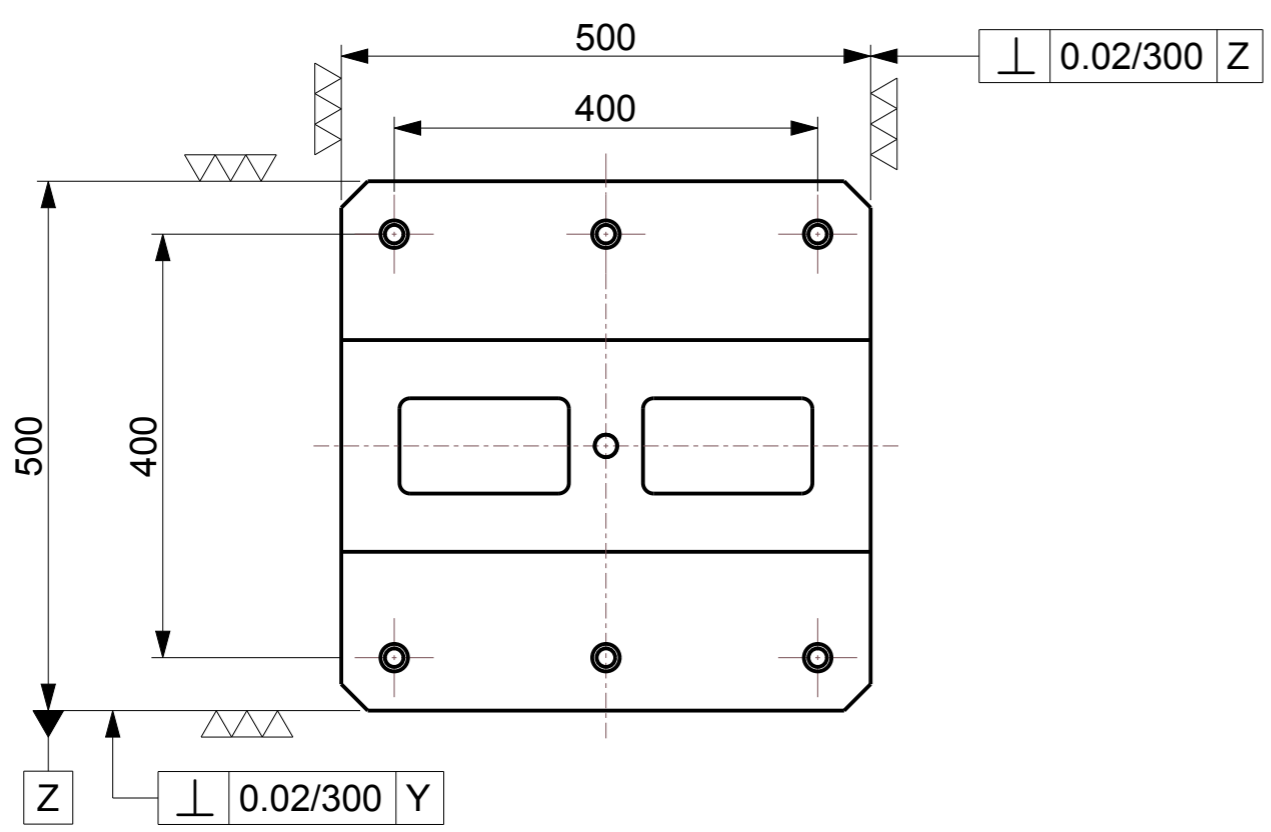
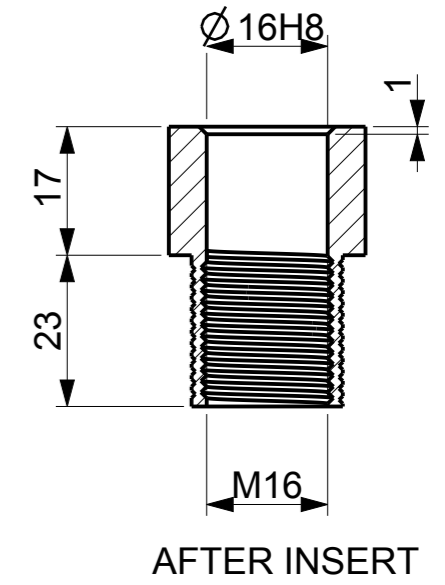
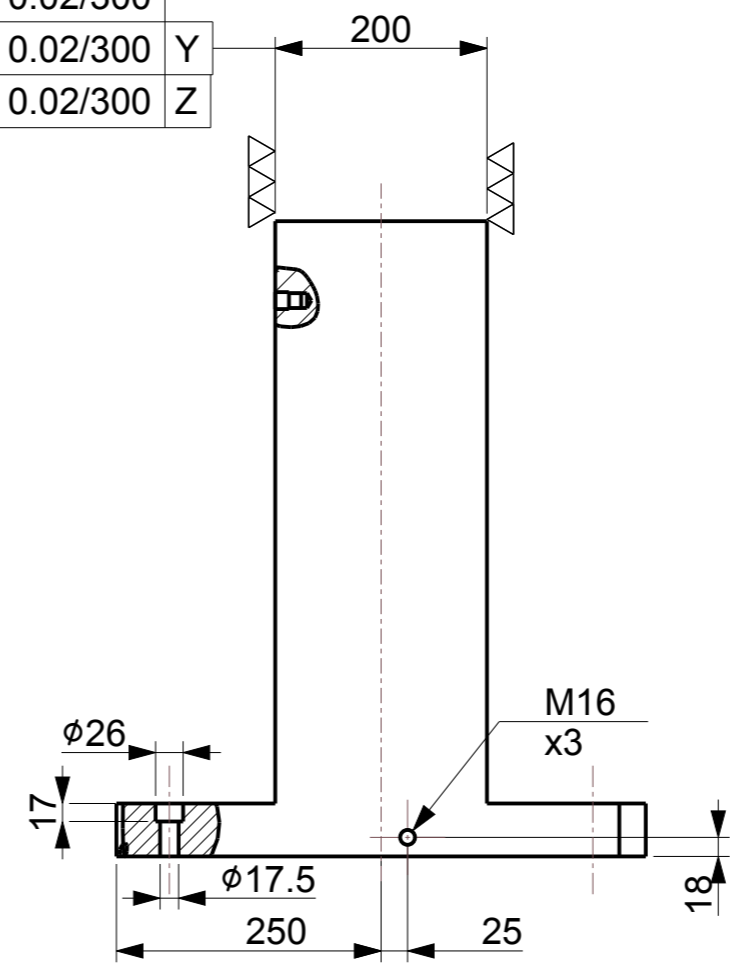


□	0.02/300	
⊥	0.02/300	Y
//	0.02/300	Z



DOUBLE SIDED CLAMPING COLUMN - GRID HOLE

Art.No. FG/WH/TOMB/RCG16NP004

Model No. TSG/RT/200500-16