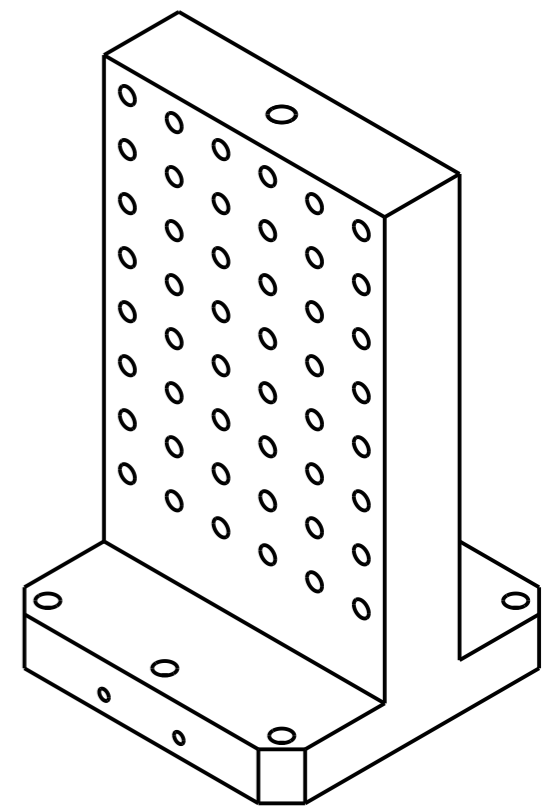
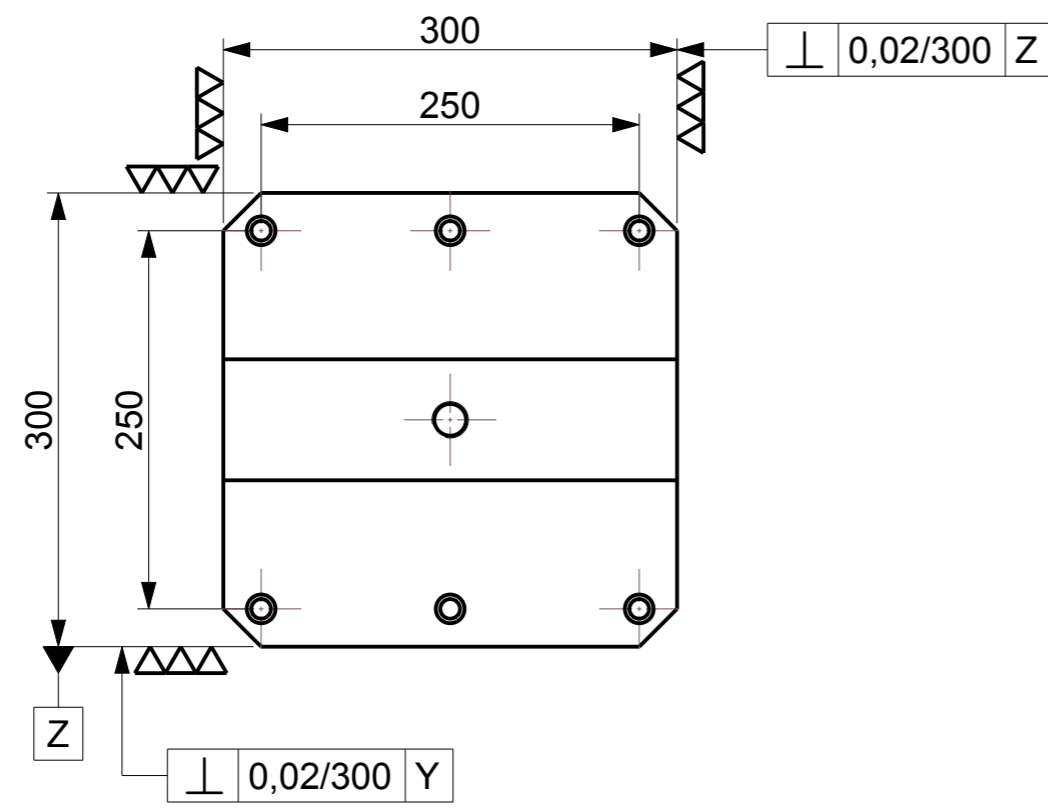
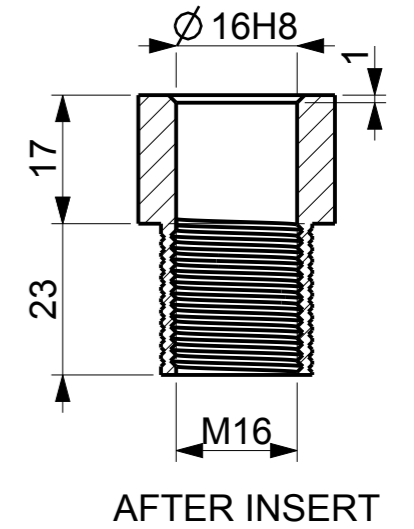
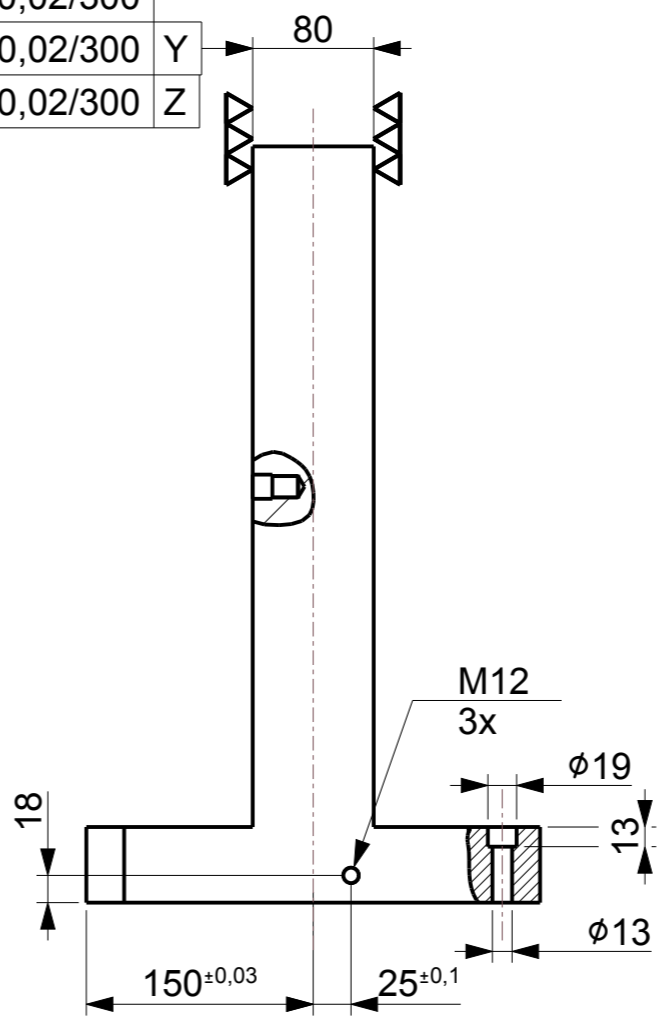


|    |          |   |
|----|----------|---|
| ▧  | 0,02/300 |   |
| ⊥  | 0,02/300 | Y |
| // | 0,02/300 | Z |



**DOUBLE SIDED CLAMPING COLUMN - GRID HOLE**

Art.No. FG/WH/TOMB/RCG16NP001

Model No. TSG/RT/80300-16