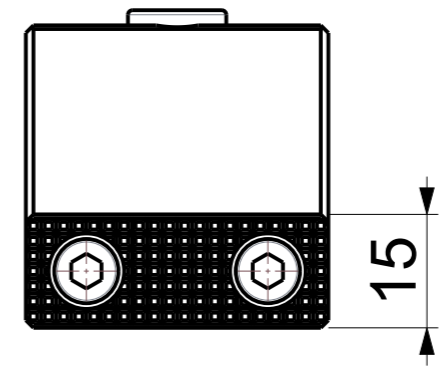
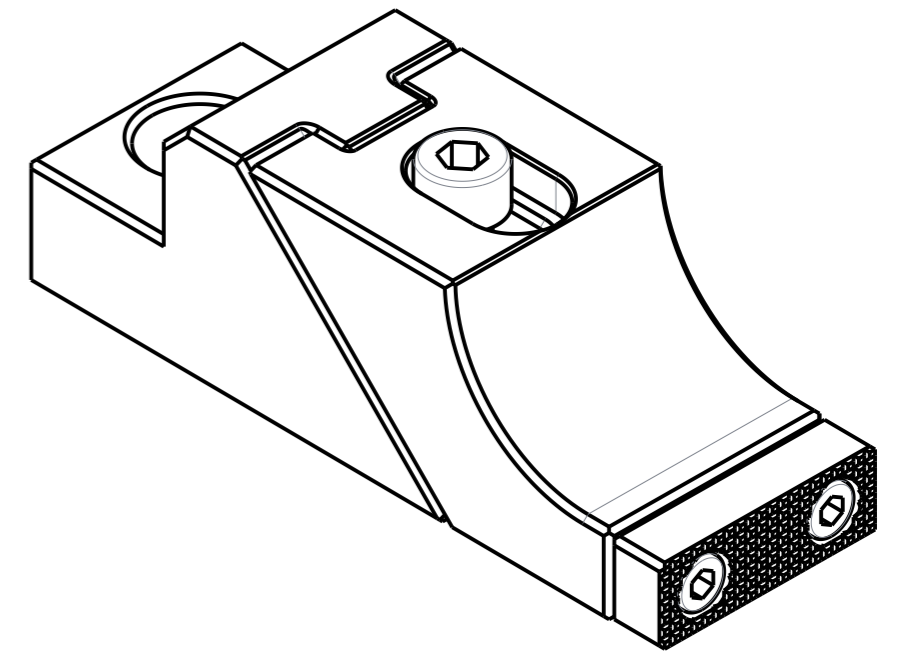


DIN M10x25-1NOS



**LOW PROFILE LATERAL CLAMP**

Art.No. FG/WH/EZ/LCMP1NP001

Model No. EZ-LC-M8