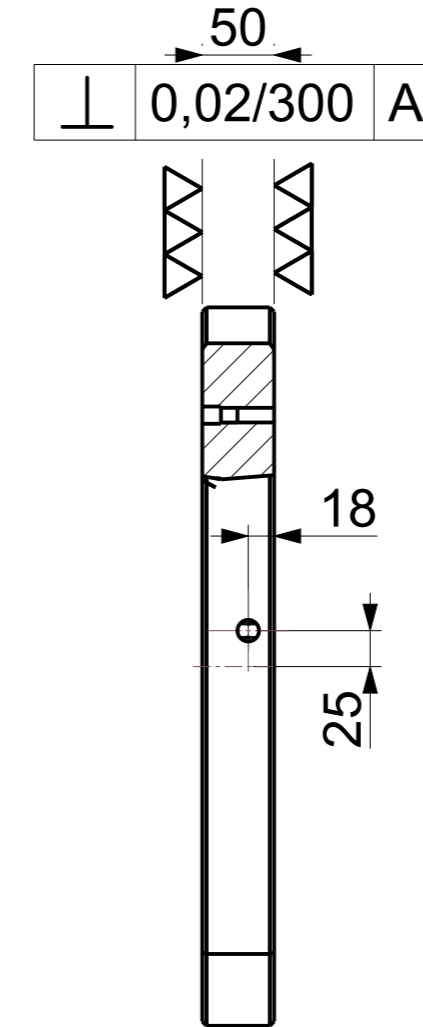
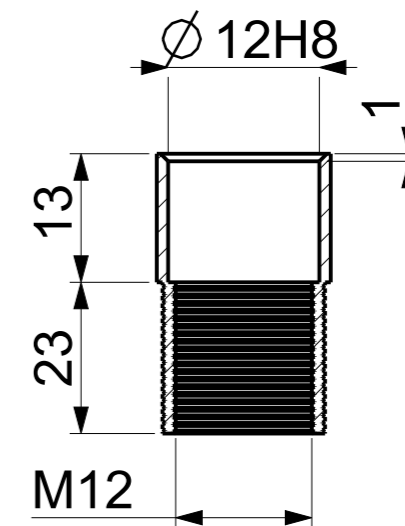
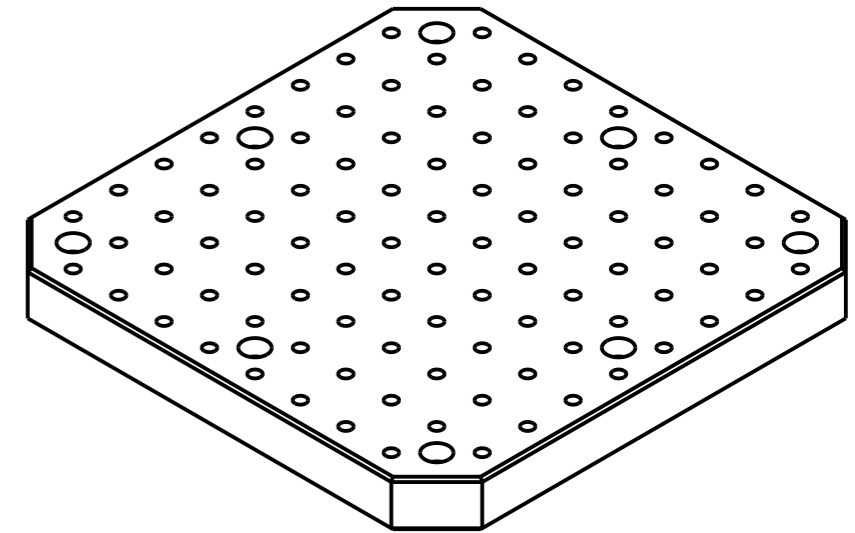


SECTION A-A
SCALE 0,190



SECTION B-B



AFTER INSERT

SQUARE BASE PLATE GRID HOLE

Art. No. FG/WH/BASPL/SQGRDNP002

Model. No. BPG/SQ/500-12