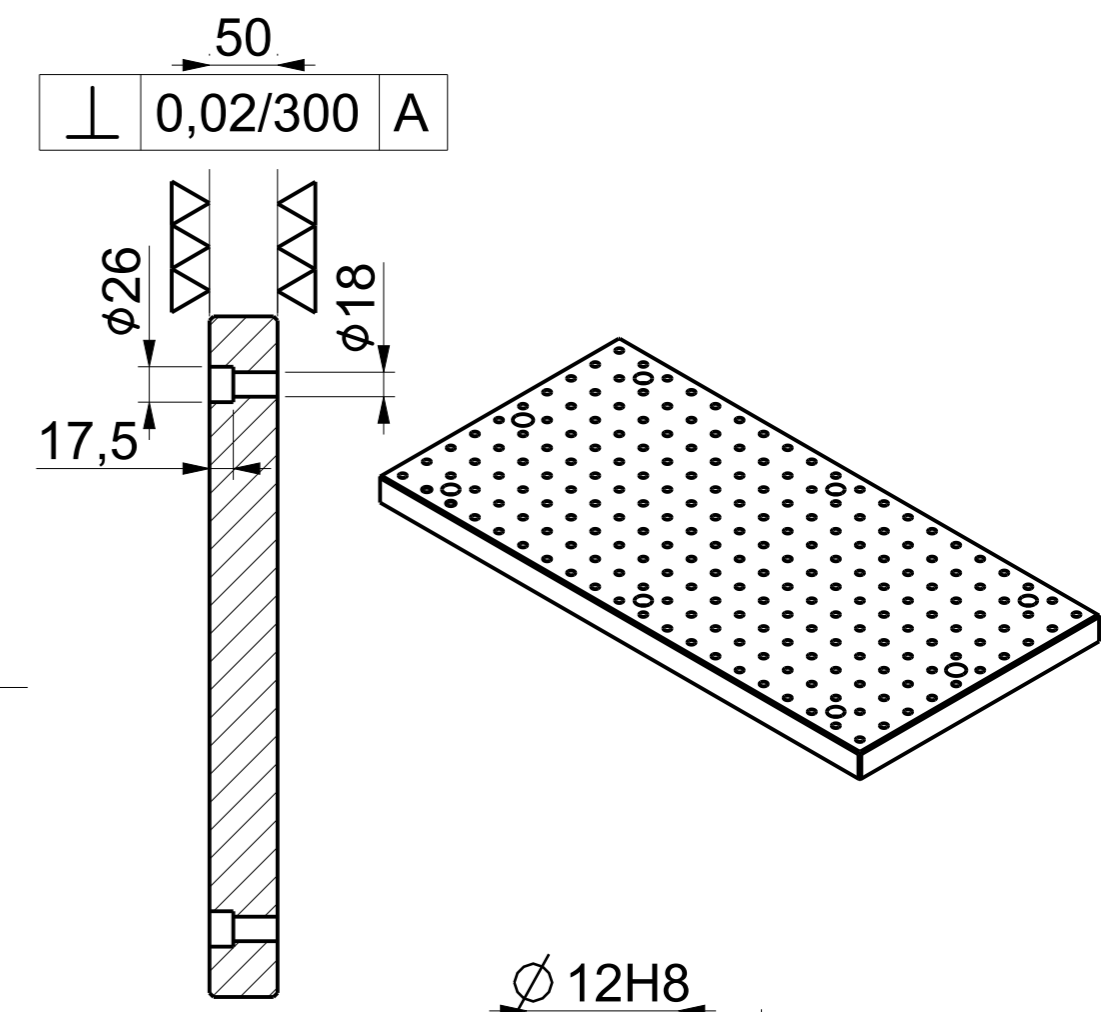
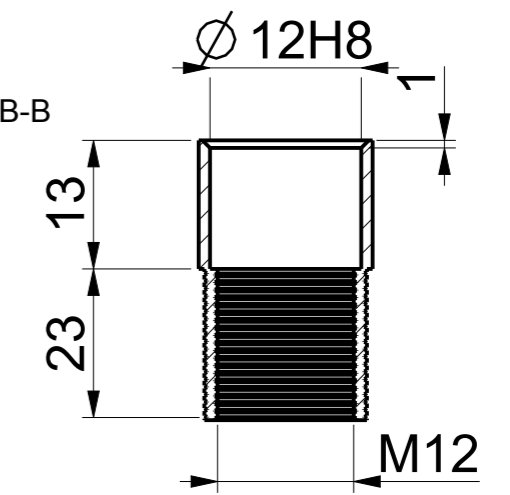


M12

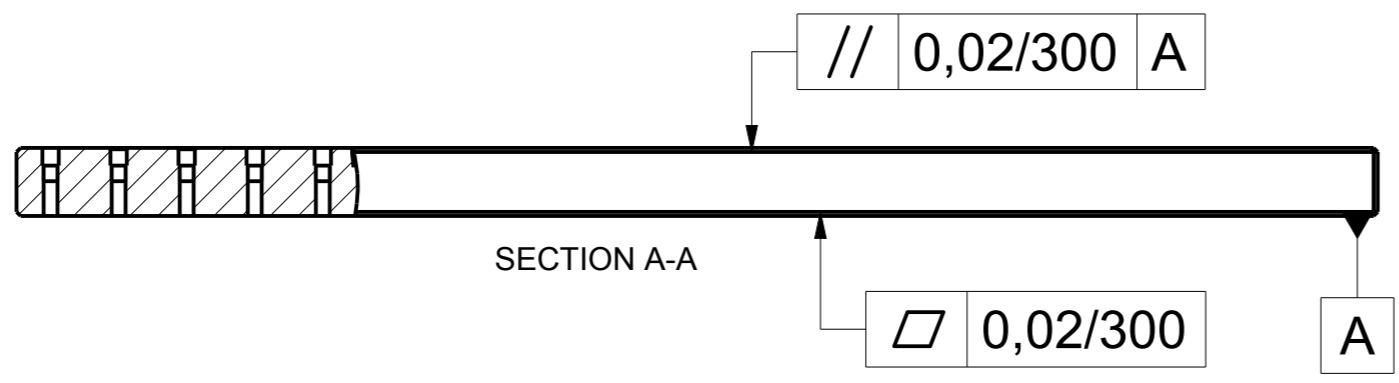
ϕ 30H7
(2x)



SECTION B-B



AFTER ASSEMBLY



RECTANGULAR BASE PLATE GRID HOLE
Art. No. FG/WH/BASPL/RCGRDNP005
Model. No. BPG/RT/5001000-12