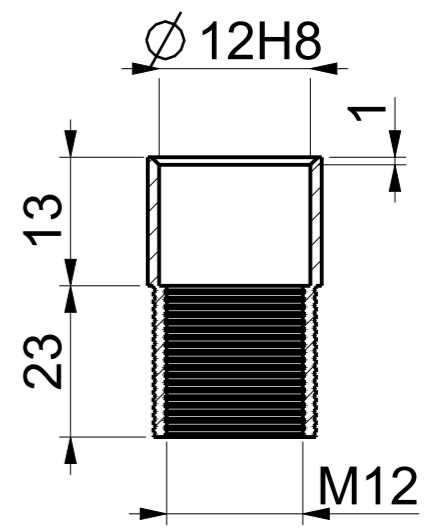
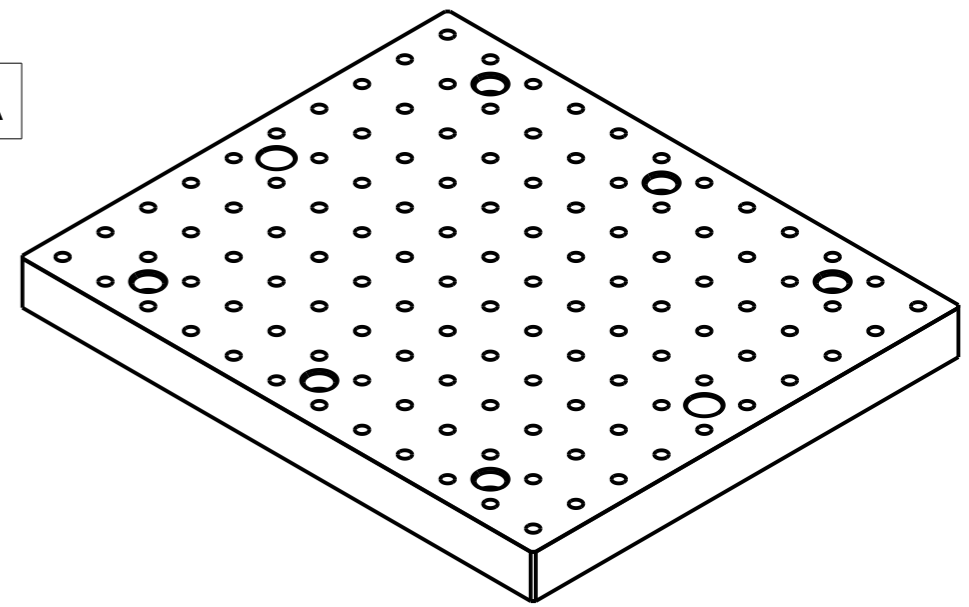
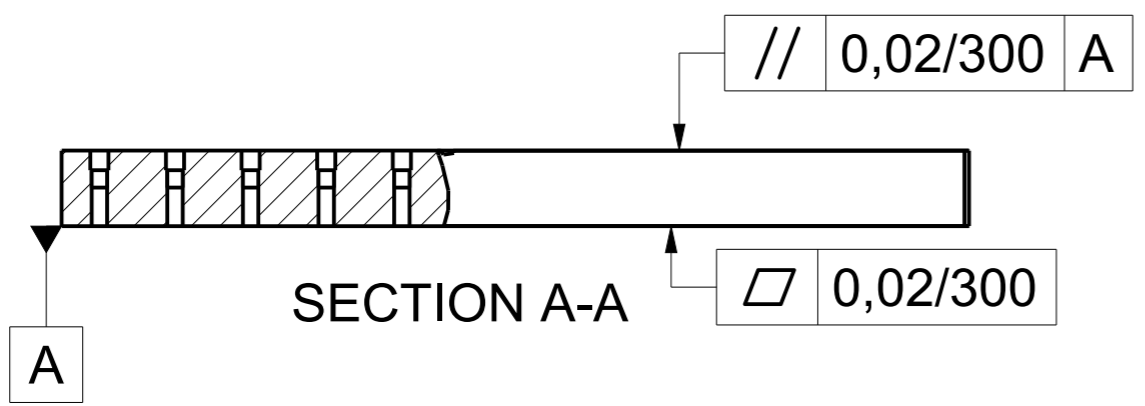


SECTION B-B



AFTER INSERT



SECTION A-A

**RECTANGULAR BASE PLATE GRID HOLE**

Art. No. FG/WH/BASPL/RCGRDNP002

Model. No. BPG/RT/500600-12