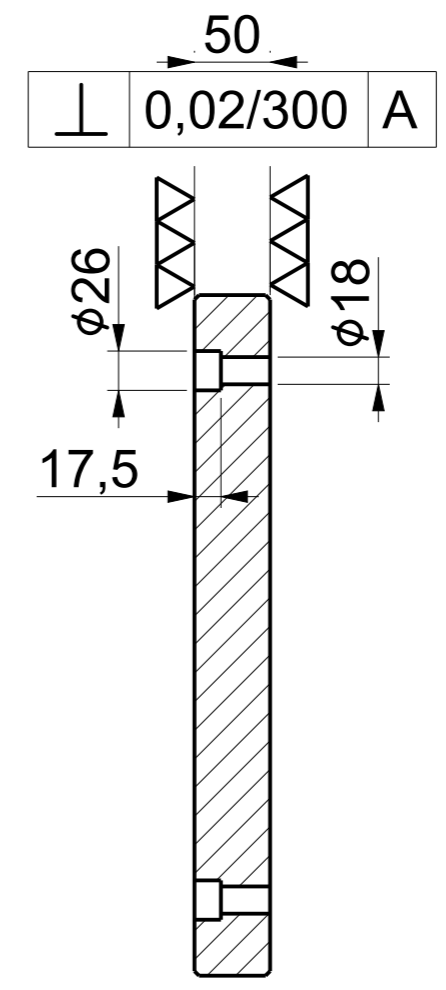
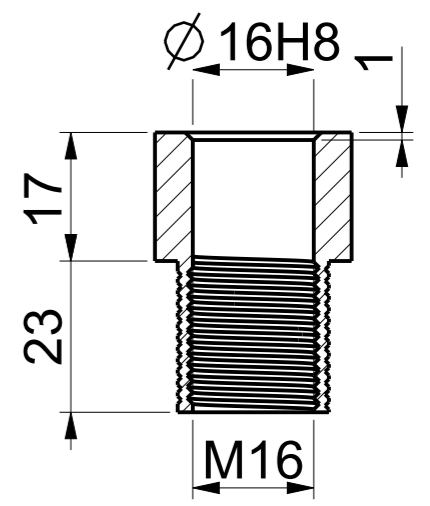
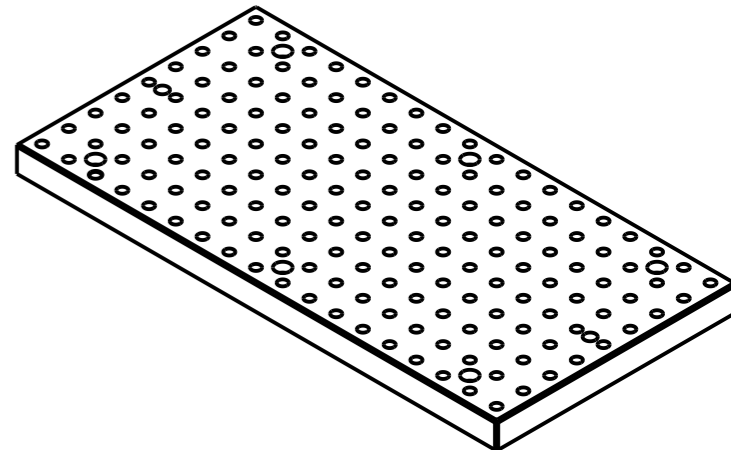


M16

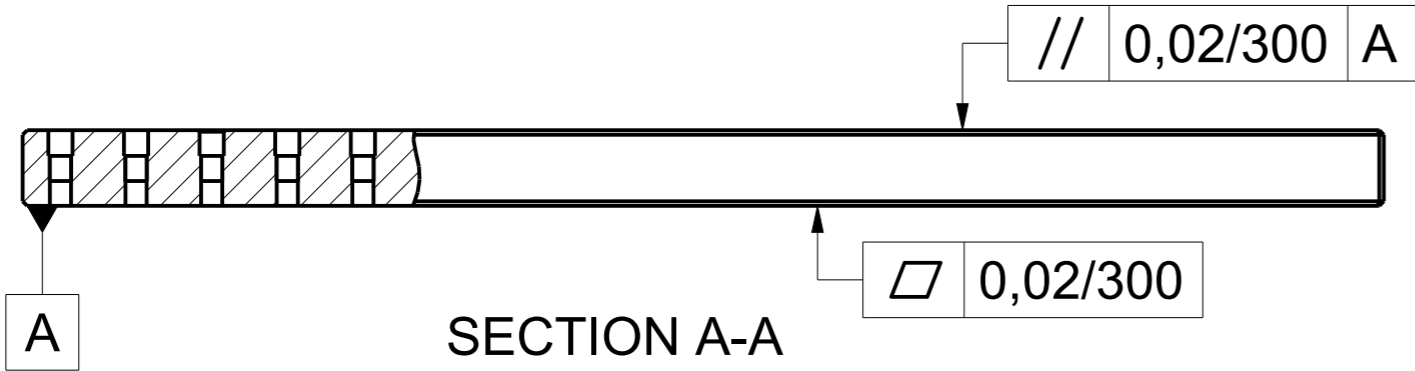
$\phi$ 20H7 (2x)



SECTION B-B



AFTER ASSEMBLY



SECTION A-A

**RECTANGULAR BASE PLATE GRID HOLE**

Art. No. FG/WH/BASPL/RCG16NP004

Model. No. BPG/RT/450900-16