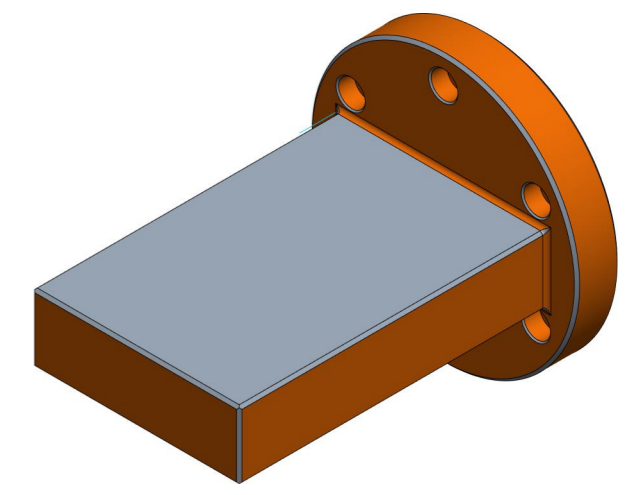


HOLES FOR ZPS



T TRUNNION FOR 4TH AXIS
Art.No.FG/WH/4AXIS/TTRUNNP001