

M16 Cap-Screw hole
(Figure B)

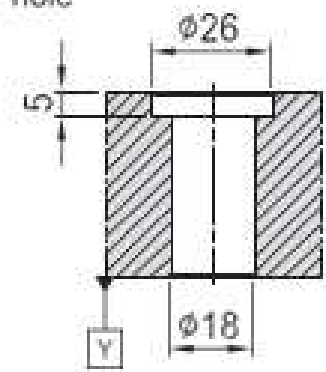
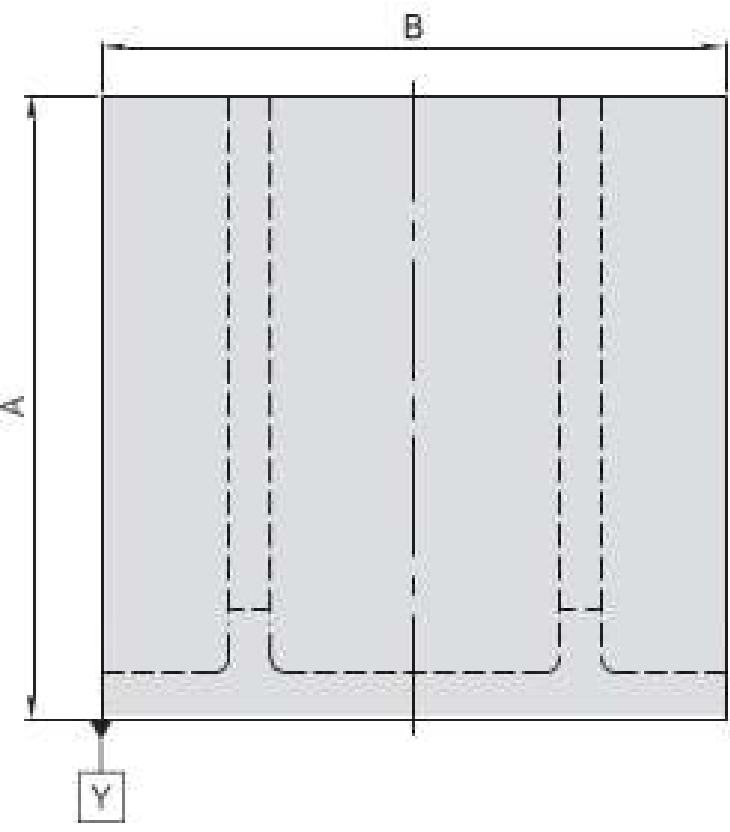


Figure B



\perp 0.02/300 Y

